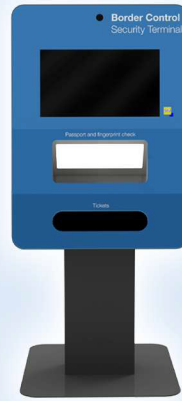
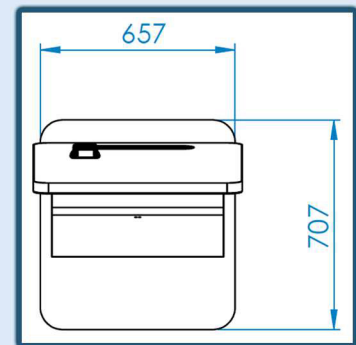


# Airpot Kiosk Technical Specifications



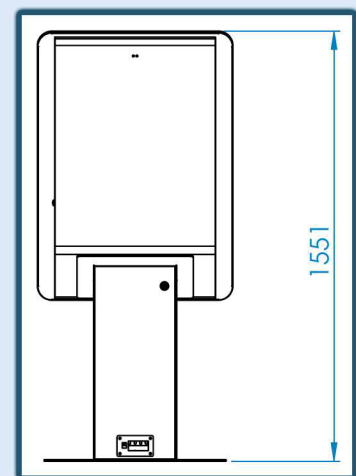
## Panel PC

|         |   |
|---------|---|
| CPU     | Intel Bay Trail Celeron J1900 Quad Core 1.99GHz |
| Memory  | DDR3L Slot 1333 Samsung 4GB/8GB                 |
| Storage | 2xSATA2.0 500GB, 1xMSATA                        |
| Network | 1x1000M Lan, Realtek GBE RJ45                   |
| Audio   | Realtek HD Audio with speaker                   |
| BIOS    | AMI   |
| OS      | Windows 10 Enterprise Edition                   |



## LCD Screen

|               |   |
|---------------|---|
| Resolution    | 1920x1080 @ 60Hz/70Hz (16:9 Ratio)          |
| Backlight     | LED   |
| MTBF          | 50000 Hours                                 |
| Active Area   | 476.64mm x 268.11mm                         |
| Viewing Angle | 89° (Left/Right), 89° (Vertical/Horizontal) |
| Response Time | Typically 25ms                              |
| Colors        | 16.7 Million                                |



## Touch Panel

|                   |                                  |
|-------------------|----------------------------------|
| Type              | Projected Capacitive Multi-Touch |
| Hardness          | 6H                               |
| Surface Treatment | Chemical Strength Anti-Vandal    |
| Power Consumption | < 0.3W                           |
| Touch Points      | 10                               |
| Response Time     | < 10ms                           |
| Life Time         | > 200 Million Touches            |

## All Right Now LTD

The Long Barn | Manor Farm Business Park | Appletree Road | Chipping Warden | OX17 1LH  
T: +44 (0)1295 66 05 66 E: enquiries@allrightnow.co.uk www.allrightnow.co.uk