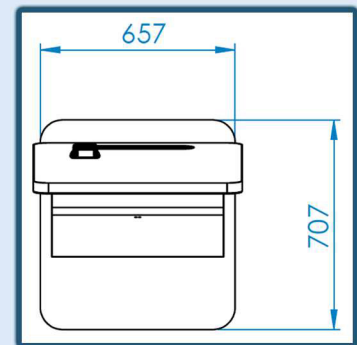


Airport Kiosk Technical Specifications



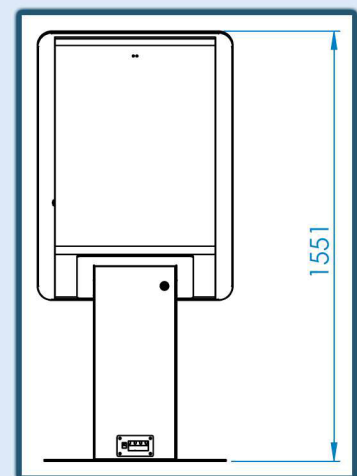
Panel PC

CPU	Intel Bay Trail Celeron J1900 Quad Core 1.99GHz
Memory	DDR3L Slot 1333 Samsung 4GB/8GB
Storage	2xSATA2.0 500GB, 1xMSATA
Network	1x1000M Lan, Realtek GBE RJ45
Audio	Realtek HD Audio with speaker
BIOS	AMI
OS	Windows 10 Enterprise Edition



LCD Screen

Resolution	1920x1080 @ 60Hz/70Hz (16:9 Ratio)
Backlight	LED
MTBF	50000 Hours
Active Area	476.64mm x 268.11mm
Viewing Angle	89° (Left/Right), 89° (Vertical/Horizontal)
Response Time	Typically 25ms
Colors	16.7 Million



Touch Panel

Type	Projected Capacitive Multi-Touch
Hardness	6H
Surface Treatment	Chemical Strength Anti-Vandal
Power Consumption	< 0.3W
Touch Points	10
Response Time	< 10ms
Life Time	> 200 Million Touches

All Right Now LTD

The Long Barn | Manor Farm Business Park | Appletree Road | Chipping Warden | OX17 1LH
T: +44 (0)1295 66 05 66 E: enquiries@allrightnow.co.uk www.allrightnow.co.uk